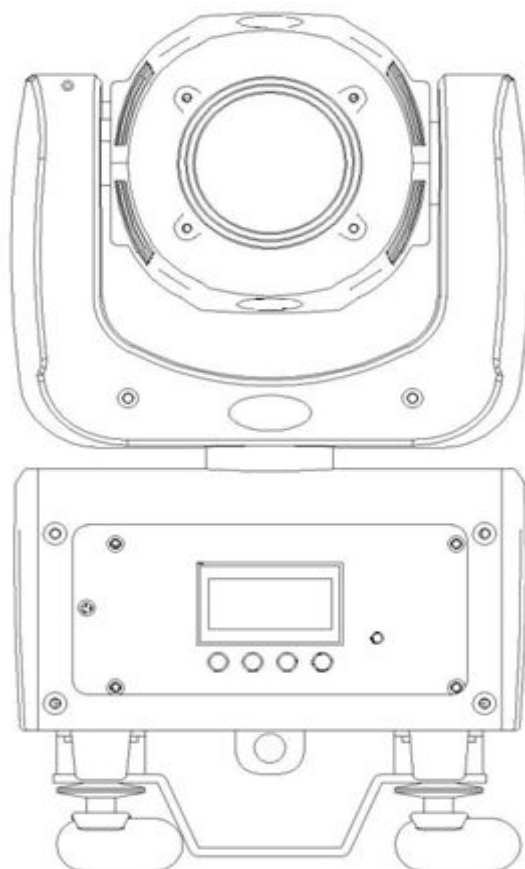


# Mini 30W White LED Beam Moving Head Light

## **INVOLIGHT** **MINIBEAM30**



### User Manual

Please keep the manual carefully for future reference.

Thank you for your patronage. We are confident that our excellent products and service can satisfy you. For your own safety, please read this user manual carefully before installing the device.

In order to install , operate, and maintain the lighting safety and correctly. We suggest that the installation and operation should be done by the verified technician and follow the instruction strictly.

Every person involved with the installation, operation and maintenance of this device has to:

- be qualified
- follow carefully the instructions of this manual

### **Introduction**






Thank you for having chosen this professional moving head. You will see you have acquired a powerful and versatile device.

Unpack the device. Inside the box you should find:

1. One XLR connection cable
2. Two quick-lock fasteners
3. One safety rope
4. One use manual
5. One power cable

Please check carefully that there is no damage caused by transportation. Should there be any, consult your local dealer

### **Symbol Instruction On The Device**

-  ..... **CE Certificate**
-  ..... **Suitable directly installed on the common combustibile materials devices**
-  ..... **Only indoor use**
-  ..... **Environmental protection**
-  ..... **The minimum distance from lighted objects(meter)**

#### **CAUTION!**



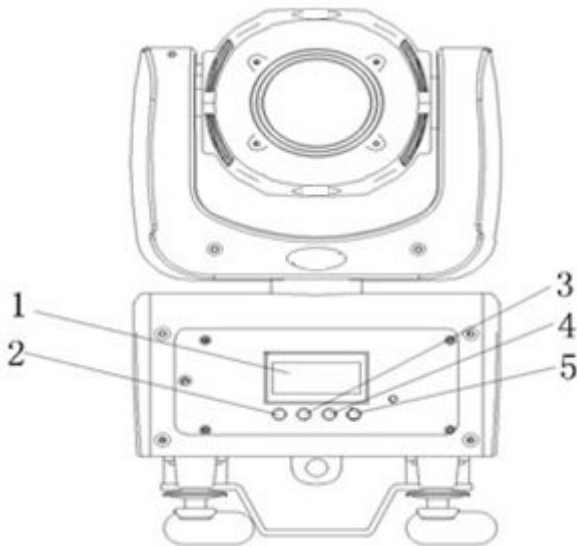
**Keep this device away from rain and moisture!**



**Unplug mains lead before opening the housing!**

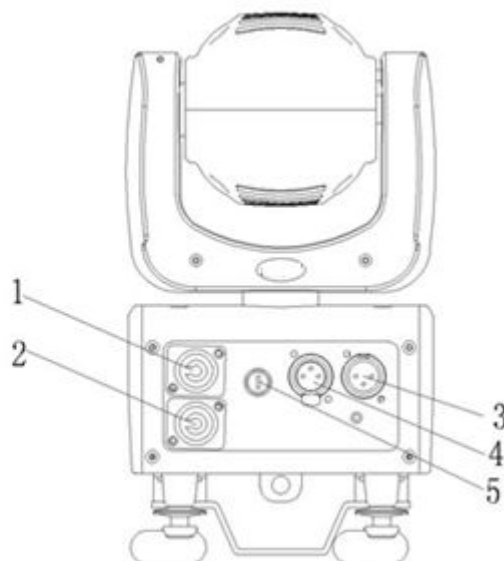
# 1. Description of the Device

- 1\*30W high power white LED;
- Power supply: 100~240VAC 50~60Hz
- Rated power: 37W
- Average of 50,000 hours of super-long LED life, low energy consumption, energy conservation and environmental protection LED;
- Quickly scan speed, Pan scanning 630 degree only 1.2 seconds, and Tilt scanning 235 degree take 0.8 seconds;
- High-speed electronic adjusting strobe and can reach 1 ~ 25 times/SEC or random strobe;
- Fixture installed a power factor correction APFC switching power supply, PF > 0.99, the efficiency is as high as 90%, the real green environmental protection;
- Light spot angle: 3°, strong beam effect, it's 3 times as high as other manufacturers;
- Total 10 inner program can selectable, can play by Auto or DMX controller;
- Perfect blue LCD display, touch press buttons;
- N.W: 2Kg
- Packing Size: 18.5\*24\*27 cm



- 1. LED Display board
- 2. Menu
- 3. Up
- 4. Down
- 5. Enter

- 1. Power In
- 2. Power Out
- 3. DMX Out
- 4. DMX In
- 5. Fuse



## 2. Safety Instructions



### CAUTION!

**Be careful with your operations. With a dangerous voltage you can suffer a dangerous electric shock when touching wires!**

This device has left the factory in perfect condition. In order to maintain this condition and to ensure a safe operation, it is absolutely necessary for the user to follow the safety instructions and warning notes written in this user manual.



### Warning!

*Damages caused by the disregard of this user manual are not subject to warranty. The dealer will not accept liability for any resulting defects or problems.*

- ▶ If the device has been exposed to temperature changes due to environmental changes, do not switch it on immediately. The arising condensation could damage the device. Leave the device switched off until it has reached room temperature.
- ▶ Please make sure that the device be earthed.
- ▶ Please replace housing if it is broken. This fixture can be using after finished installed.
- ▶ The electric connection must carry out by qualified person.
- ▶ Make sure that the available voltage is not higher than stated at the end of this manual.
- ▶ Make sure the power cord is never crimped or damaged by sharp edges. If this would be the case, replacement of the cable must be done by an authorized dealer.
- ▶ If the external flexible cable or cord of this luminaire is damaged, it shall be exclusively replaced by the manufacturer or his service agent or a similar qualified person in order to avoid a hazard.
- ▶ Please cut off the power if don't use the fixture or want to clean, maintenance.



### CAUTION!

**Never touch the device during operation!  
The housing may heat up**



### CAUTION!

**Never look directly into the light source,  
as sensitive persons may suffer an epileptic shock.**

Please be aware that damages caused by manual modifications to the device are not subject to warranty. Keep away from non-professionals.

## **General Guidelines**

- ▶ This device is a lighting effect for professional use on stages, in discotheques, theaters, etc., the device was designed for indoor use only.
- ▶ This fixture is only allowed to be operated with the max alternating current which stated in the technical specifications in the last page of this manual.
- ▶ The device can do continuous work for eight hours. Lighting effects are not designed for permanent operation. Consistent operation breaks may ensure that the device will serve you for a long time without defects.
- ▶ Handle with care, do not make the device by strong shocks.

While choosing the installation-spot, please make sure that the device is not exposed to extreme heat, moisture or dust. Please don't project the beam onto combustible substances. The minimum distance between light-output from the projector and the illuminated surface must be more than 1 meter.

- ▶ Please do not in damp, overheat or dusty environment install and use the device. Do not use light on fuel. The distance between the device and the projectile to keep at least 1 meter.
- ▶ If you use the quick lock cam in hanging up the fixture, please make sure the quick lock fasteners turned in the quick lock holes correctly.
- ▶ Operate the device only after having familiarized with its functions. Do not permit operation by persons not qualified for operating the device. Most damages are the result of unprofessional operation.
- ▶ Please use the original packaging if the device is to be transported.
- ▶ For safety reasons, please be aware that all modifications on the device are forbidden.
- ▶ If this device will be operated in any way different to the one described in this manual, the product may suffer damages and the guarantee becomes void. Furthermore, any other operation may lead to short-circuit, burns, electric shock, lamp explosion, crash, etc.

## **3. Installation Instruction**



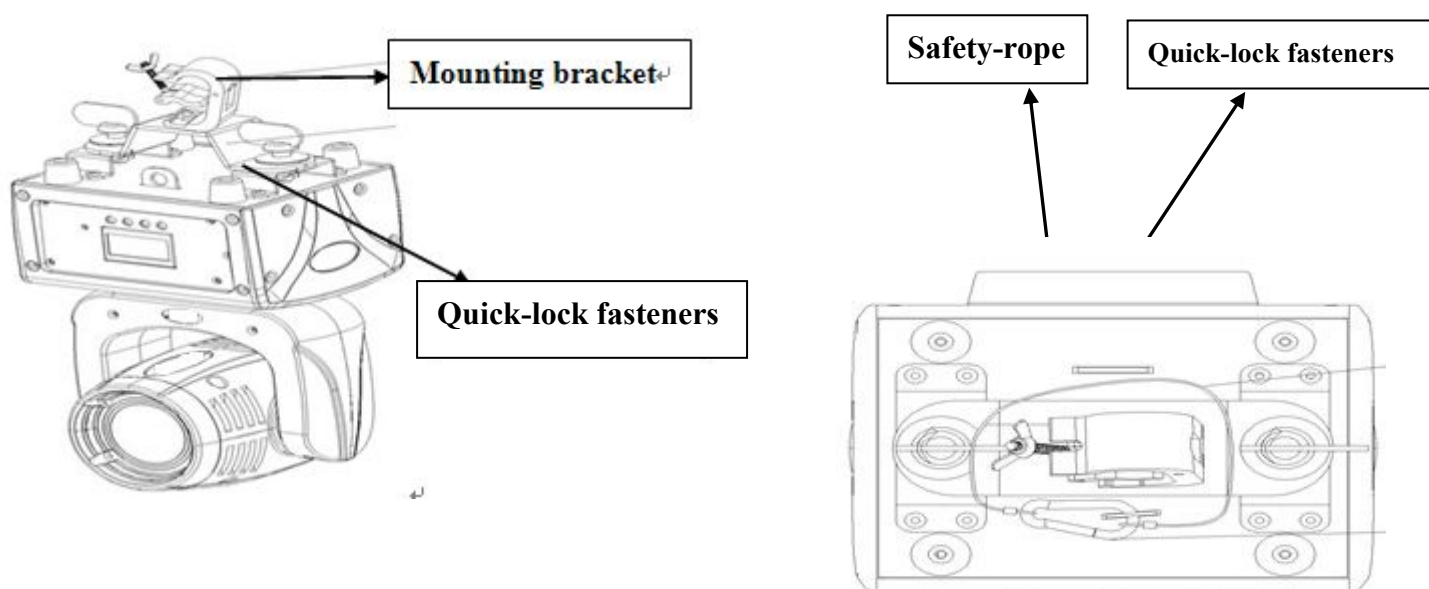
### **CAUTION!**

**Please consider the GB7000.15/EN60598-2-17 and the other respective national norms during The installation. The installation must only be carried out by a qualified person.**

- ▶ The applicable temperature for the lighting is between -25°C to 45°C. Do not use the lighting under or above the temperature.
- ▶ The installation of the effect has to be built and constructed in a way that it can hold 10 times the weight for 1 hour without any harming deformation.

- ▶ The installation must always be secured with a secondary safety attachment, e.g. an appropriate safety rope. Never stand directly below the device when mounting, removing or servicing the fixture.
- ▶ The operator has to make sure the safety relating and machine technical installations are approved by an expert before taking the device into operation for the first time.
- ▶ These installations have to be approved by a skilled person once a year.
- ▶ Overhead mounting requires extensive experience, including amongst others calculating working load limits, installation material being used, and periodic safety inspection of all installation material and the device. If you lack these qualifications, do not attempt the installation yourself. Improper installation can result in bodily injury.

## Ringling



Insert the quick-lock fasteners of the first holder into the respective holes on the bottom of the device. Tighten the quick-lock fasteners fully clockwise.

Make the finished installed mounting bracket tighten on the fixed bracket.

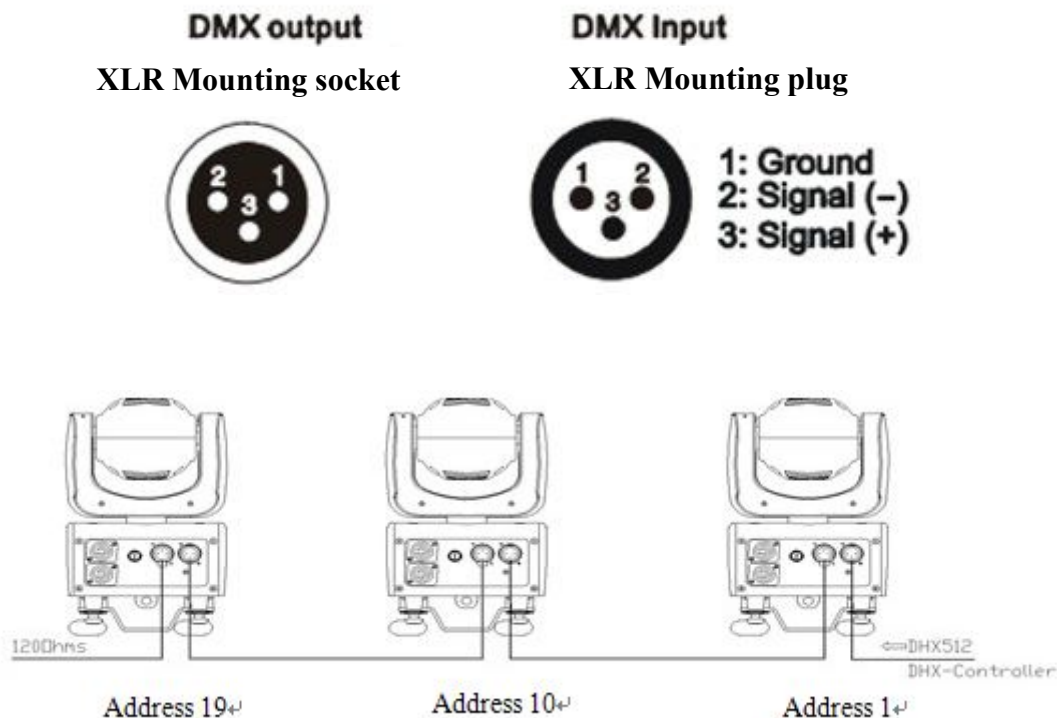
Pull the safety rope through the holes on the bottom of the base and over the trussing system or other safe fixation spot.

Note: This step is quite important to ensure that fixture will not drop out by the damage of clamp.

## 4.DMX-512 control connection

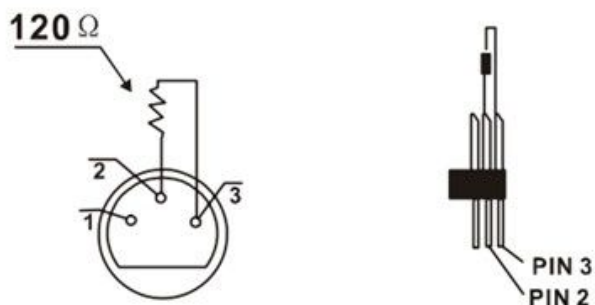
Connect the provided XLR cable to the male 3-pin XLR output of your controller and the other side to the female 3-pin XLR input of the light. You can chain multiple lights together through serial linking

The cable needed should be two core, screened cable with XLR input and output connectors. Please refer to the diagram below.



### DMX-512 connection with DMX terminator

For installations where there are too many lines or lights environment it is recommended to use a DMX terminator. This helps in preventing corruption of the digital control signal by electrical noise. The DMX terminator is simply an XLR plug with a 120 Ω resistor connected between pins 2 and 3, which is then plugged into the output XLR socket of the last fixture in the chain.



**Welding a 120 ohm resistor between 2 and 3 pins male XLR , and insert it into the signal output of the last device**

### 5. DMX address setting

Each fixture must set a specific starting address. When receiving signal transmission, fixture will receive channel control signals which from the starting address.

According to different requirements or easy to use, the user can set many value fixtures to the same address, also can set up a separate address for every device.

If you set the same address, all the devices will receive from DMX channels signal. All connecting fixtures are jointly controlled, controller can't separate control a device.

If you set a different address, each device will be separate from its particular set the starting address and begin accepting DMX512 control signal, so that more convenient separate control one device. Using this method must be based on channel quantity of device to determine a starting address.

This led moving head light has 9 channels. you should set the starting address of the first unit to 1, the second unit to 10(9 + 1), the third unit to 19 (10+ 9), and so on.

## 6. Menu map and operation

| Display   | Data  |
|-----------|---|
| AddrSet   | 1-512   |
| MotorSet  | PanRev<br>TiltRev<br>PanAdj<br>Encoder<br>PanMode |
| AutoProg  | Master/Slave                                      |
| MIC Cont  | Master/Slave                                      |
| MIC Sensy | 0-100%  |
| ChanTest  | Set DMX channel and testing channel               |
| NoSigSet  | Close/Scene/Auto/Music                            |
| Mode Set  | Standard/Basic/User Mode                          |
| UserMode  | Set DMX channel function under User mode          |
| ResetDef  | ResetDef  |
| Versions  | Ver:1.0   |

### Details operation instruction please following function menu.

There are total four operating buttons on the control panel, you can simply set the starting address, run the pre-programmed program or make a reset.

#### <Mode/Esc>

Used to scroll through the current operating mode, as well as back out of the current menu option.

#### <Up>

Used to select increasing advancement in the value.

#### <Down>

Used to select decreasing advancement in the value.

#### <Enter>

Used to select a value and store it to memory.

The control panel shows the current state of the unit. It is used to select the operating mode, as well as the sub-features. For a detailed lay out of the control panel functions, please see the following page.



## Channel Instruction

### 8 channels (Standard)

| Channel | Value   | Function  | Display |
|---------|---------|---|---------|
| 1       | 000-255 | Pan   | Pan:    |
| 2       | 000-255 | Pan fine  | Pan1:   |
| 3       | 000-255 | Tilt  | Tilt:   |
| 4       | 000-255 | Tilt fine   | Tilt1:  |
| 5       | 000-255 | Pan/Tilt movement speed(from fast to slow;226-235 off; more than 225, the quickest speed)   | Spee:   |
| 6       | 000-255 | White   | W:      |
| 7       | 000-255 | Strobe<br>0-16 Close<br>16-95 Strobe from slow to fast<br>96-175 1Hz Strobe, open and close can adjustable(10-90%)<br>176-255 Random strobe from slow to fast | Stro:   |
| 8       | 000-255 | Auto<br>The data more than 75, every 15 data is inner program   | Auto    |

### 6channels(Basic)

| Channel | Value   | Function  | Display |
|---------|---------|---|---------|
| 1       | 000-255 | Pan   | Pan:    |
| 2       | 000-255 | Tilt  | Tilt:   |
| 3       | 000-255 | Pan/Tilt movement speed(from fast to slow;226-235 off; more than 225, the quickest speed)   | Spee:   |
| 4       | 000-255 | White   | W:      |
| 5       | 000-255 | Strobe<br>0-16 Close<br>16-95 Strobe from slow to fast<br>96-175 1Hz Strobe, open and close can adjustable(10-90%)<br>176-255 Random strobe from slow to fast | Stro:   |
| 6       | 000-255 | Auto<br>71-75 restoration<br>The data more than 75, every 15 data is inner program  | Auto    |

# Spectral wavelength analysis system

## Spectral wavelength analysis system

Sample Item: MINIBEAM30      Sample Number: 1      Environment Temperature: 25.0 °C  
Testing Date: Dec.19,2013      Testing Time: 08:40:27      Environment Humidity: 15.0%

### Color Technical Parameter

Main Wavelength:       Peak Wavelength:       Peak Wide:

Color Coordinate XY:       Color Coordinate U'V':       Color Purity:

Color Temperature:       CRI Ra:       Color Tolerance:

CRI Rx:

### Light Technical Parameter

Light Brightness:       Light Strength:       Luminous Flux:

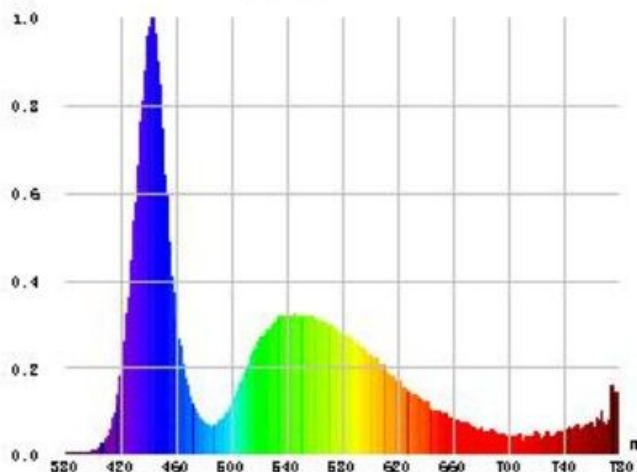
Light Power:       Luminous Efficacy:

### Electricity Technical Parameter

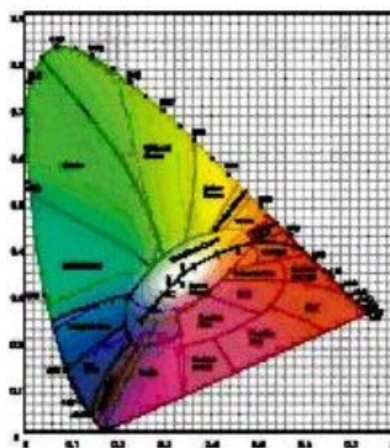
Forward Current:       AC Voltage:       AC Power:

AC Current:       Power Factor:

Spectral Curve



CIE1931



Testing Machine Item: SSP3112 Visible Light LED Spectral Analysis Testing System

## Cleaning and maintenance

The operator has to make sure that safety-relating and machine-technical installations are inspected by an expert after every four years in the course of an acceptance test.

The operator has to make sure that safety-relating and machine-technical installations are inspected by a skilled person once a year.

The following points have to be considered during the inspection:

- 1). All screws used for installing the devices or parts of the device have to be tightly connected and must not be corroded.
- 2). There must not be any deformations on housings, fixations and installation spots (ceiling, suspension, trussing).
- 3). Mechanically moved parts like axles, eyes and others must not show any traces of wearing (eg: material abrading or damages) and must not rotate with unbalances.
- 4). The electric power supply cables must not show any damages, material fatigue (eg: porous cables) or sediments. Further instructions depending on the installation spot and usage have to be adhered by a skilled installer and any safety problems have to be removed.

We recommend a frequent cleaning of the device. Please use a moist, lint-free cloth. Never use alcohol or solvents!

The cooling-fan should be cleaned monthly.

The interior of the fixture should be cleaned at least annually using a vacuum-cleaner or an air-jet.

There are no serviceable parts inside the device. Maintenance and service operations are only to be carried out by authorized dealers.

## Warranty Card

|  |      |
|--|------|
| We will provide 1 year warranty under the condition that user has operated the light normally and lifetime service. We won't provide warranty if the damage is caused by artificial or force majeure event. Please cut this warranty card and shipped it along with the product to our factory when applying for warranty. |      |
| Product:   |      |
| Purchasing date:   |      |
| Code of invoice:   |      |
| Warranty date: From  | To   |
| User's name:   | Add: |
| Company:   | Tel: |

**WWW.ART-COMPLEX.RU**