



DX700M

BUILT-IN AMPLIFIER



DX-Series Built-in Amplifiers for PA Speaker Systems

- D class power amplifier
- Switching power supply
- Power factor corrector (optional)
- Forced cooling system
- Detachable power cord
- Analog input section, acting as high pass filter, crossover, EQ, limiting and speaker overload protection
- Line input – XLR
- Line output (parallel to line input) – XLR
- Output for passive subwoofer – SPEAKON
- Input level control
- Subwoofer level control
- Overload and short-circuit protection
- DC output protection
- Thermal protection
- High frequency protection
- Soft signal start

Application:

*Built-in amplifier
for subwoofer + satellite configuration
(for installation in a satellite).*

Versions of amplifiers:

*for 4 Ohms speaker impedance – DX700M-4
for 8 Ohms speaker impedance – DX700M-8*

Power Rating*:

- DX700M-4:
 - subwoofer channel **350/210 W** (4/8 Ohms)
 - satellite channel **350/200 W** (4/8 Ohms)
- DX700M-8:
 - subwoofer channel **350 W** (8 Ohms)
 - satellite channel **350 W** (8 Ohms)

Frequency Range**:

- subwoofer channel **45 – 125 Hz**
- satellite channel **125 Hz – 20 kHz**

Total Harmonic Distortions ***

<0.05%

Slew Rate

20 V/μs

Damping Factor

200 (200 Hz, 8 Ohms)

Signal-to-Noise Ratio

98 dB (unweighted)

Sensitivity **

775 mV

HPF Cutoff Frequency **

45 Hz

Crossover Frequency **

125 Hz

Power Requirements

~230 V, 50/60 Hz

Weight:

- DX700M **3.8 kg**
- DX700M PFC **4.1 kg**

Dimensions

198 mm x 408 mm x 104 mm

Notes.

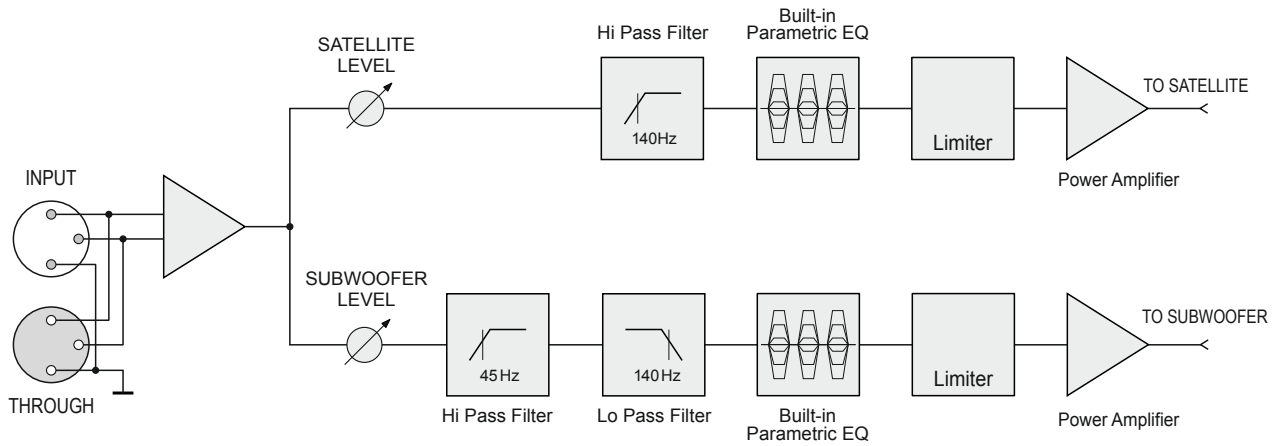
*For mains voltage:

- ~230 V for amps without PFC;
- ~160-280 V for amps with PFC.

** Basic model.

*** In the operating frequency range of the corresponding channel.

AMPLIFIER BLOCK DIAGRAM



MECHANICAL DRAWING

